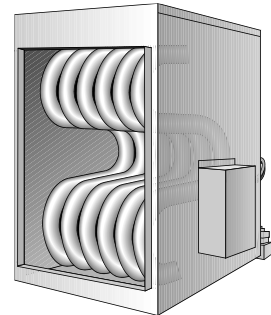
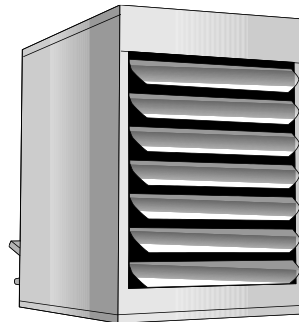
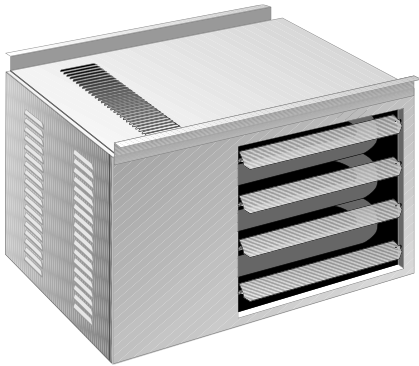


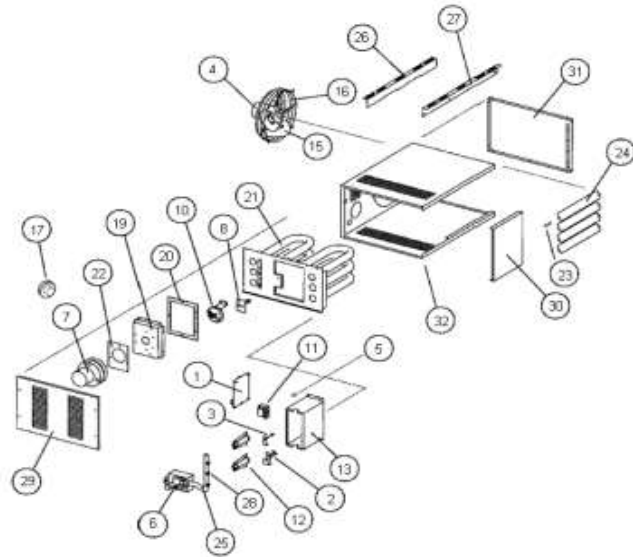
Unit Heater

Accessories & Replacement Parts



Contents	Page
CUH Unit Heater.....	2
FSA Unit Heater.....	4
SEP Unit Heater	
SEP 60-145.....	6
SEP 175-290.....	9
SEP 300-400.....	12
HED Duct Furnace	
HED 75-150.....	15
HED 200-300.....	17
FOA Unit Heater.....	19
UHRS Unit Heater.....	22
UHCM unit Heater.....	23
SEP, FOA Conversion Kits – LP and NG.....	25
UHRS, UHCM Conversion Kits – LP And NG.....	26

CUH



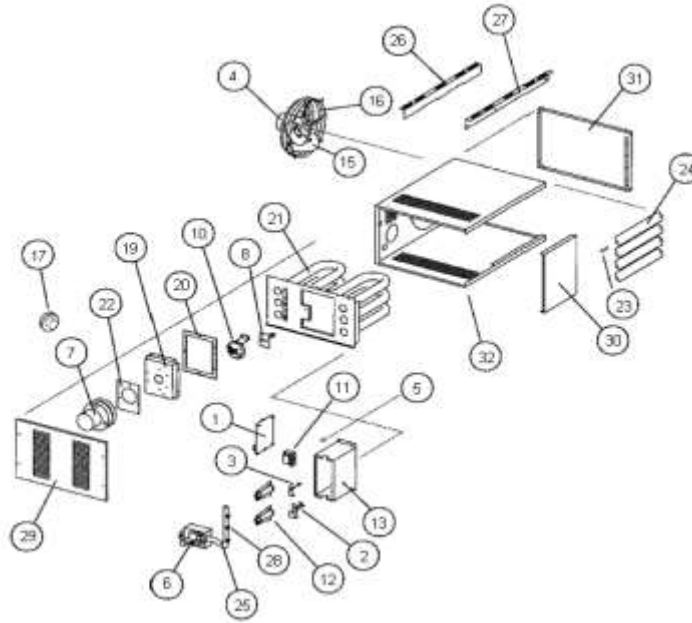
CUH UNIT HEATER

DRAWING NUMBER	DESCRIPTION	PART NUMBER	CUH30					CUH45					CUH60		CUH75	
			1	2	3	4	5	1	2	3	4	5	1	2	1	2
1	CONTROL BOARD															
		176777500		X				X			X			X		
		76722700				X				X		X				X
2	ELECTRODE/SPARK IGNITOR															
		176738700		X				X			X			X		
		76714900				X				X		X				X
3	ELECTRODE/FLAME SENSOR															
		76738800		X				X			X			X		
		76715000				X				X		X				X
4	FAN MOTOR (BLOWER MOTOR)															
		76791000		X				X								
		176700242										X				X
5	FLAME ROLLOUT SWITCH															
		176740200										2				2
		176739900		X				X								
6	GAS VALVE (LP)															
		76717500		X				X			X			X		X
6	GAS VALVE (NAT)															
		76714600		X				X			X			X		X
28	ORIFICE (LP)															
		176717200		2				3			4			5		
	Straight thread	176717200		2				3			4			5		
	Tapered thread	76724000				2				3		4				5
28	ORIFICE (NAT)															
		176712200		2				3			4			5		
	Straight thread	176712200		2				3			4			5		
	Tapered thread	76723700				2				3		4				5
Not Shown	IGNITION LEAD (WIRE, CABLE)															
		76715100		X				X			X			X		X
7	INDUCED DRAFT MOTOR ASSEMBLY(includes motor, housing, & blower wheel)															
		76739200		X				X			X			X		X
8	LIMIT SWITCH															
		76739700		X				X			X			X		X
10	PRESSURE SWITCH															
		176777300														X
11	TRANSFORMER															
		76715500		X				X			X			X		X

CUH UNIT HEATER

DRAWING NUMBER	DESCRIPTION	PART NUMBER	CUH30					CUH45					CUH60		CUH75		
			1	2	3	4	5	1	2	3	4	5	1	2	1	2	
12	BURNER																
		76739500		2					3						4		5
15	FAN BLADE																
		176739100							X								
		176739600		X													
		176740000											X				
		176701184															X
17	FLUE ADAPTER																
		176737800											X				X
		176735000		X					X								
20	FLUE BOX GASKET																
		176739300		X					X								
		176740300											X				X
21	HEAT EXCHANGER																
		176700314		X													
		176781500							X								
		176784000											X				
		176768700															X
22	INDUCED DRAFT GASKET																
		176708800		X					X				X				X
23	LOUVER SPRING																
		76713500		4						4			6				6

FSA



FSA UNIT HEATER

DRAWING NUMBER	DESCRIPTION	PART NUMBER	FSA30	FSA45	FSA60	FSA75
1	CONTROL BOARD					
2	ELECTRODE/SPARK IGNITER	76722700			X	
3	ELECTRODE/FLAME SENSOR	76714900			X	
4	FAN MOTOR (BLOWER MOTOR)	76715000			X	
5	FLAME ROLLOUT SWITCH	76791000	X	X		
		176700242			X	X
6	GAS VALVE (LP)	176740200			2	2
		176739900	X	X		
6	GAS VALVE (NAT)	76717500			X	
		76714600			X	
28	ORIFICE (LP)	76724000	2	3	4	5
28	ORIFICE (NAT)	76723700	2	3	4	5
Not Shown	IGNITION LEAD	76715100			X	
7	INDUCED DRAFT MOTOR ASSEMBLY (includes motor, housing, & blower wheel)	76739200			X	
8	LIMIT SWITCH	76739700			X	
10	PRESSURE SWITCH	176777300				X
11	TRANSFORMER	176777400	X	X	X	
		76715500			X	
12	BURNER	76739500	2	3	4	5

FSA UNIT HEATER

DRAWING NUMBER	DESCRIPTION	PART NUMBER	FSA30	FSA45	FSA60	FSA75
15	FAN BLADE					
		176739100		X		
		176739600	X			
		176740000			X	
		176701184				X
17	FLUE ADAPTER					
		176737800			X	X
		176735000	X	X		
20	FLUE BOX GASKET					
		176739300	X	X		
		176740300			X	X
21	HEAT EXCHANGER					
		176700314	X			
		176781500		X		
		176784000			X	
		176768700				X
22	INDUCED DRAFT GASKET					
		176708800	X	X	X	X
23	LOUVER SPRING					
		76713500	4	4	6	6

SEP UNIT HEATER SEP 60 - 145

DRAWING NUMBER	DESCRIPTION	PART NUMBER	SEP 60					SEP 90					SEP 100	SEP 115					SEP 145				
			1	2	3	4	5	1	2	3	4	5		1	2	3	4	5	1	2	3	4	5
	ALUMINIZED STEEL HEAT EXCHANGER		1	2	3	4	5	1	2	3	4	5		1	2	3	4	5	1	2	3	4	5
	STAINLESS STEEL HEAT EXCHANGER					0	1				0	1					0	1				0	1
7	INDUCED DRAFT MOTOR ASSEMBLY (includes motor, housing, & blower)																						
		76746100	X					X						X					X				
		76714300B																					
		76738400																					
		76714200			X					X			X			X					X		
8	LIMIT SWITCH																						
		176716600																					
		76716400		X					X				X		X					X			
		176716700																					
		176716500																					
9	AUXILIARY LIMIT (ROLLOUT)																						
		176717100																					
10	PRESSURE SWITCH																						
		176776900																					
		176777000																					
		176777100						X					X		X								
		176777300		X					X				X							X			
11	TRANSFORMER																						
		76715500		X					X				X		X					X			
12	BURNER																						
		76711200		4					6														
		76711300											4		4					5			
15	FAN BLADE																						
		176710700		X					X														
		176776400											X		X					X			
17	FLUE ADAPTER																						
		176735000		X																			
		76708500							X				X		X					X			
		76708600																					
19	FLUE BOX																						
		176718900						X					X										
		176709200													X								
		176709300																			X		

** Temporarily Unavailable

SEP UNIT HEATER SEP 60 - 145

DRAWING NUMBER	DESCRIPTION	PART NUMBER	SEP 60					SEP 90					SEP 100	SEP 115					SEP 145				
			1	2	3	4	5	1	2	3	4	5		1	2	3	4	5	1	2	3	4	5
	ALUMINIZED STEEL HEAT EXCHANGER																						
	STAINLESS STEEL HEAT EXCHANGER				0	1			0	1				0	1			0	1			0	1

20	FLUE BOX GASKET																						
		176710000			X					X													
		176710200																					
		176710300																					

22	INDUCED DRAFT MOTOR GASKET																						
		176708800			X					X			X			X					X		
		176708900**																					

Not Shown SILICONE TUBING

		176742001			X					X			X			X					X		
21	HEAT EXCHANGER (ALUMINIZED)												X			X							
		176707500																					
		176707600																				X	
		176707800																					
		176707900																					

21	HEAT EXCHANGER (STAINLESS)												X			X							
		176711600																					
		176708100																					
		176708200																					
		176711900																					

23	LOUVER SPRING																						
		76713500				7				7			7			7							7

24	LOUVER VANE, BEIGE																						
		176713100				7					7												
		176713200											7				7						7
		176713300																					

25	MANIFOLD																						
		176724700								X*	X												
		176724400											X			X*	X						
		176724600																					
		176724100																					
		176724200																					
		176724300																					

* For these models, you also need to order tapered thread orifices. (All new manifolds have tapered threads and will not fit with older orifices having straight threads).

** Temporarily Unavailable

35	FLUE BAFFLE																						
		176710400											4			4							5

42	TURBULATOR FOR NOX																						
		176717800											4			4							5

Not Shown	FAN TIMER																						
		100002477	X							X				X							X		

Not Shown	GAS PRESSURE SWITCH																						
		76717700			X					X			X			X					X		

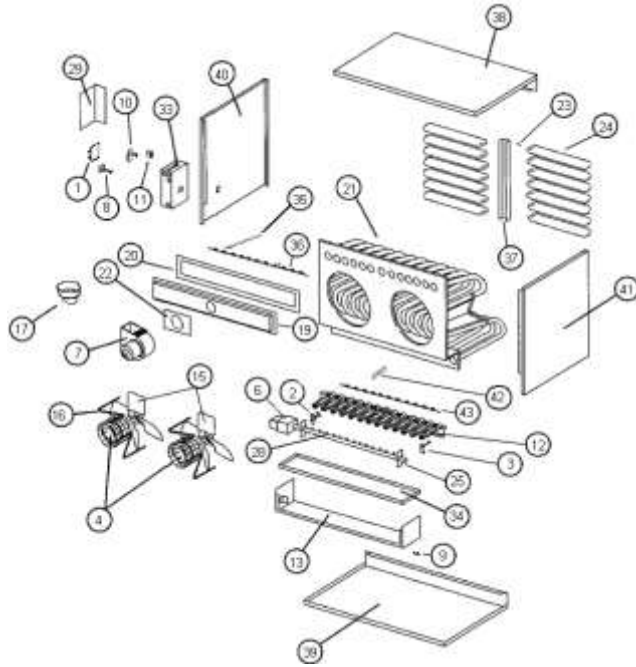
Not Shown	IGNITION WIRE																						
		176727300	X							X				X							X		
		76715100			X					X			X			X							X
		76715200																					

Not Shown	FLAME SENSOR WIRE																						
		176738600																					

Not Shown	WIRING HARNESS																						
		176717000																					
		176701654																					

** Temporarily Unavailable

SEP



SEP UNIT HEATER SEP 175 - 290

DRAWING NUMBER	DESCRIPTION	PART NUMBER	SEP 175					SEP 200			SEP 230					SEP 250		SEP 290						
	ALUMINIZED STEEL HEAT EXCHANGER		1	2	3	4	5	1	2	3	1	2	3	4	5			1	2	3	4	5		
	STAINLESS STEEL HEAT EXCHANGER				0	1		1	2	3				0	1								0	1

1	CONTROL BOARD	10000240	X								X						X							
		176777500			X			X					X							X				
		76722700					X		X					X	X									X
		76714900		X					X			X			X			X						X
2	ELECTRODE/SPARK IGNITER	76715000		X				X			X			X			X					X		
		76714900		X				X			X			X			X					X		
3	ELECTRODE/FLAME SENSOR	76715000		X				X			X			X			X					X		
		76700242		X				X			2			2			2					2		
6	GAS VALVE (LP)	76717500		X				X																
		176717600									X			X			X					X		
6	GAS VALVE (NAT)	76714600		X				X																
		76714800									X			X			X					X		
28	ORIFICE (NAT)	Straight thread 176712300		6								8								10				
		Tapered thread 76723000					6								8								10	
		Straight thread 176712200																						
		Tapered thread 76723700																						
		Tapered thread 76723400																			10			
		Tapered thread 76723600										6												
28	ORIFICE (LP)	Straight thread 176717200																						
		Tapered thread 76724000																						
		Tapered thread 176723500																		10				
		Straight thread 76717300			6								8								10			
		Tapered thread 76723100					6								8									10
		Straight thread 176717400							6															
Tapered thread 176723300									6															

** Temporarily Unavailable

SEP UNIT HEATER SEP 175 - 290

DRAWING NUMBER	DESCRIPTION	PART NUMBER	SEP 175					SEP 200			SEP 230					SEP 250	SEP 290				
			1	2	3	4	5	1	2	3	1	2	3	4	5		1	2	3	4	5
	ALUMINIZED STEEL HEAT EXCHANGER																				
	STAINLESS STEEL HEAT EXCHANGER				0	1	1	2	3					0	1					0	1
7	INDUCED DRAFT MOTOR ASSEMBLY (includes motor, housing, & blower)																				
		76746100																			
		76714300B		X					X						X						X
		76738400																			
		76714200																			
8	LIMIT SWITCH													X						X	
		176716600												X						X	
		76716400						X													
		176716700	X							X						X	X				
		176716500			X																
9	AUXILIARY LIMIT (ROLLOUT)													X		X				X	
		176717100												X		X				X	
10	PRESSURE SWITCH																				
		176776900		X					X					X						X	
		176777000														X					
		176777100																			
		176777300																			
11	TRANSFORMER																				
		76715500		X					X					X		X				X	
12	BURNER																				
		76711200																			
		76711300			6				6					8		10				10	
15	FAN BLADE																				
		176710700																			
		176776400		X					X					X		X				X	
17	FLUE ADAPTER																				
		176735000																			
		76708500																			
		76708600		X					X					X		X				X	
19	FLUE BOX																				
		176718900																			
		176709200																			
		176709300																			

** Temporarily Unavailable

SEP UNIT HEATER SEP 175 - 290

DRAWING NUMBER	DESCRIPTION	PART NUMBER	SEP 175					SEP 200			SEP 230					SEP 250	SEP 290					
			1	2	3	4	5	1	2	3	1	2	3	4	5		1	2	3	4	5	
	ALUMINIZED STEEL HEAT EXCHANGER																					
	STAINLESS STEEL HEAT EXCHANGER				0	1	1	2	3				0	1					0	1		

20	FLUE BOX GASKET																				
		176710000																			
		176710200			X				X												
		176710300										X			X					X	

22	INDUCED DRAFT MOTOR GASKET																				
		176708800																			
		176708900**			X				X			X		X					X		

Not Shown SILICONE TUBING

		176742001			X			X		X		X		X				X			
21	HEAT EXCHANGER (ALUMINIZED)																				
		176707500																			
		176707600																			
		176707800										X									
		176707900													X					X	

21	HEAT EXCHANGER (STAINLESS)																				
		176711600																			
		176708100							X												
		176708200											X								
		176711900													X						X

23	LOUVER SPRING																				
		76713500					7		7					14		14					14

24	LOUVER VANE, BEIGE																				
		176713100																			
		176713200																			
		176713300					7		7												

25	MANIFOLD																				
		176724700																			
		176724400																			
		176724600			X *		X		X *	X											
		176724100										X *		X							
		176724200													X				X *		X
		176724300																			

* For these models, you also need to order tapered thread orifices. (All new manifolds have tapered threads and will not fit with older orifices having straight threads).

** Temporarily Unavailable

35	FLUE BAFFLE																				
		176710400					6		6				8		10						10

42	TURBULATOR FOR NOX																				
		176717800					6		6				8		10						10

Not Shown	FAN TIMER																				
		100002477			X							X							X		

Not Shown	GAS PRESSURE SWITCH																				
		76717700					X														

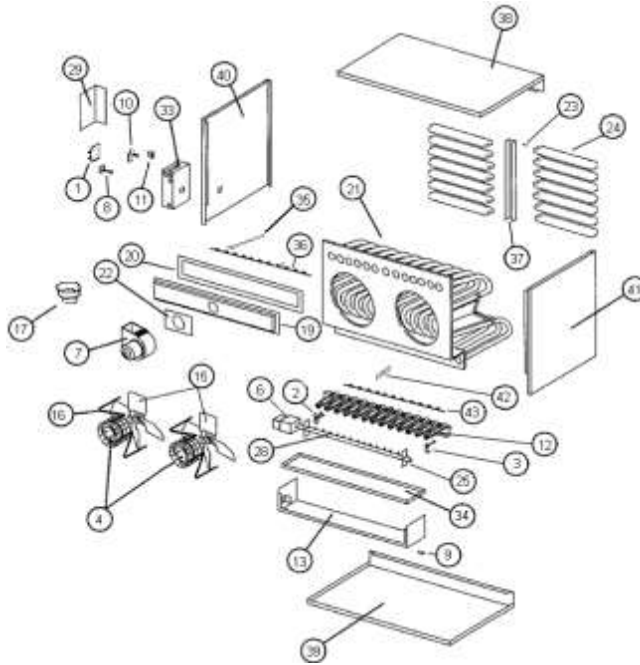
Not Shown	IGNITION WIRE																				
		176727300		X							X								X		
		76715100				X			X												
		76715200										X		X							X

Not Shown	FLAME SENSOR WIRE														X	X					X
		176738600													X	X					X

Not Shown	WIRING HARNESS													X					X		
		176717000												X					X		
		176701654													X	X					X

** Temporarily Unavailable

SEP



SEP UNIT HEATER SEP 300 - 400

DRAWING NUMBER	DESCRIPTION	PART NUMBER	SEP 300	SEP 345						SEP 400			
				1	2	3	4	5	6	1	2	3	4
	ALUMINIZED STEEL HEAT EXCHANGER			1	2	3	4	5	6	1	2	3	4
	STAINLESS STEEL HEAT EXCHANGER							0	1	1	2	3	4

1	CONTROL BOARD												
		10000240			X								
		176777500					X				X		
		76722700	X						X				X
2	ELECTRODE/SPARK IGNITER												
		76714900	X			X						X	
3	ELECTRODE/FLAME SENSOR												
		76715000	X			X						X	
4	FAN MOTOR (BLOWER MOTOR)												
		176700242	2			2						2	
6	GAS VALVE (LP)												
		76717500											
		176717600	X									X	
6	GAS VALVE (NAT)												
		76714600											
		76714800	X			X						X	
28	ORIFICE (NAT)												
	Straight thread	176712300				12							
	Tapered thread	76723000						12					
	Straight thread	176712200											
	Tapered thread	76723700											
	Tapered thread	76723400	12										
	Tapered thread	76723600											12
28	ORIFICE (LP)												
	Straight thread	176717200											
	Tapered thread	76724000											
	Tapered thread	176723500	12										
	Straight thread	76717300				12							
	Tapered thread	76723100						12					
	Tapered thread	176717400								12			
Tapered thread	176723300											12	

** Temporarily Unavailable

SEP UNIT HEATER SEP 300 - 400

DRAWING NUMBER	DESCRIPTION	PART NUMBER	SEP 300	SEP 345						SEP 400			
				1	2	3	4	5	6	1	2	3	4
	ALUMINIZED STEEL HEAT EXCHANGER			1	2	3	4	5	6	1	2	3	4
	STAINLESS STEEL HEAT EXCHANGER							0	1	1	2	3	4
7	INDUCED DRAFT MOTOR ASSEMBLY (includes motor, housing, & blower)												
	76746100												
	76714300B	X											
	76738400					X					X		
	76714200												
8	LIMIT SWITCH												
	176716600					X							
	176716400												
	176716700	X									X		
	176716500												
9	AUXILIARY LIMIT (ROLLOUT)												
	176717100	X				X					X		
10	PRESSURE SWITCH												
	176776900	X				X							
	176777000										X		
	176777100												
	176777300												
11	TRANSFORMER												
	76715500	X				X					X		
12	BURNER												
	76711200												
	76711300	12				12					12		
15	FAN BLADE												
	176710700												
	176776400	X				X					X		
17	FLUE ADAPTER												
	176735000												
	76708500												
	76708600	X		X									
19	FLUE BOX												
	176718900												
	176709200												
	176709300												

** Temporarily Unavailable

SEP UNIT HEATER SEP 300 - 400

DRAWING NUMBER	DESCRIPTION	PART NUMBER	SEP 300	SEP 345						SEP 400			
				1	2	3	4	5	6	1	2	3	4
	ALUMINIZED STEEL HEAT EXCHANGER												
	STAINLESS STEEL HEAT EXCHANGER							0	1	1	2	3	4

20	FLUE BOX GASKET												
		176710000											
		176710200											
		176710300	X				X				X		

22	INDUCED DRAFT MOTOR GASKET												
		176708800											
		176708900**	X				X				X		

Not Shown SILICONE TUBING

		176742001	X				X				X		
21	HEAT EXCHANGER (ALUMINIZED)												
		176707500											
		176707600											
		176707800											
		176707900											

21	HEAT EXCHANGER (STAINLESS)												
		176711600											
		176708100											
		176708200											
		176711900											

23	LOUVER SPRING												
		76713500	14				14				14		

24	LOUVER VANE, BEIGE												
		176713100		Unavailable									
		176713200		Unavailable									
		176713300		Unavailable									

25	MANIFOLD												
		176724700											
		176724400											
		176724600											
		176724100											
		176724200											
		176724300	X				X*			X		X*	X

* For these models, you also need to order tapered thread orifices. (All new manifolds have tapered threads and will not fit with older orifices having straight threads).

** Temporarily Unavailable

35	FLUE BAFFLE												
		176710400	12				12				12		

42	TURBULATOR FOR NOX												
		176717800	12				12				12		

Not Shown	FAN TIMER												
		100002477				X							

Not Shown	GAS PRESSURE SWITCH												
		76717700											

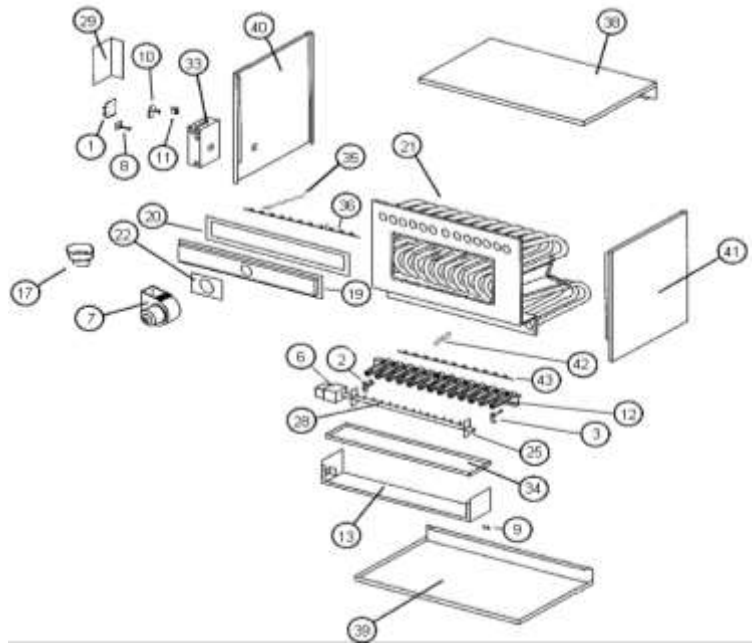
Not Shown	IGNITION WIRE												
		176727300				X							
		76715100											
		76715200	X				X				X		

Not Shown	FLAME SENSOR WIRE												
		176738600	X							X			X

Not Shown	WIRING HARNESS												
		176717000					X				X		
		176701654	X							X			X

** Temporarily Unavailable

HED



HED DUCT FURNACE HED 75 - 150

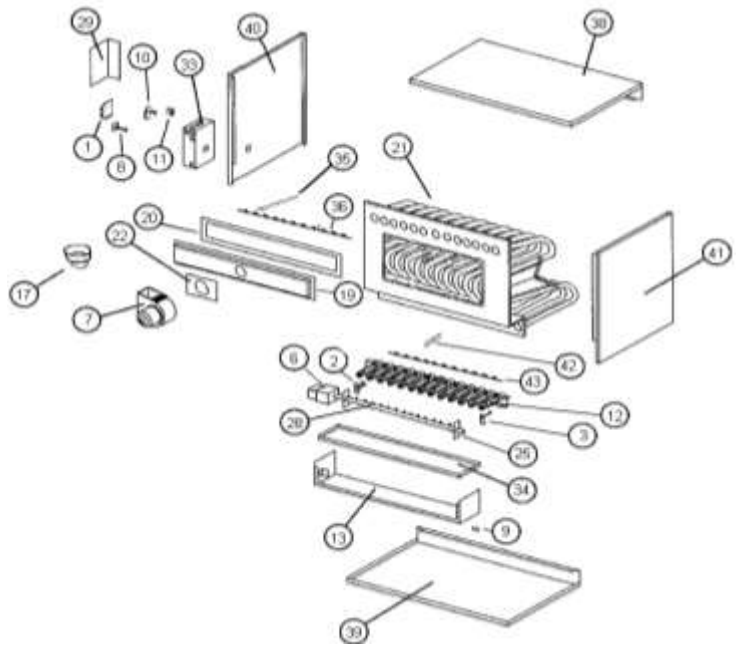
DRAWING NUMBER	DESCRIPTION	PART NUMBER	HED75			HED100			HED125			HED150		
			1	2	3	1	2	3	1	2	3	1	2	3
1	CONTROL BOARD													
		10000240	X			X			X			X		
		176777500		X			X			X			X	
		76722700			X			X			X			X
2	ELECTRODE/SPARK IGNITER													
		76714900		X			X			X			X	
3	ELECTRODE/FLAME SENSOR													
		76715000		X			X			X			X	
6	GAS VALVE (NAT)													
		76714600		X			X			X			X	
		76714800												
28	ORIFICE (NAT)													
	Straight thread	176719400		6										
	Tapered thread	176723900			6									
	Tapered thread	76723400						4			5			6
7	INDUCED DRAFT MOTOR ASSEMBLY (includes motor, housing, & blower wheel)													
		76746100		X			X			X			X	
		76714300B												
8	LIMIT SWITCH													
		176716600		X										
		76716400												
		176716700												
		176716500					X			X			X	
9	AUXILIARY LIMIT													
		176717100												
10	PRESSURE SWITCH													
		176777100		X										
		176722500					X						X	
		176722600								X				
		176776900												
11	TRANSFORMER													
		76715500		X			X			X			X	
12	BURNER													
		76711300					4			5			6	
		76711200		6										
17	FLUE ADAPTER													
		76708500		X			X			X			X	
		76708600												

HED DUCT FURNACE HED 75 - 150

DRAWING NUMBER	DESCRIPTION	PART NUMBER	HED75			HED100			HED125			HED150		
			1	2	3	1	2	3	1	2	3	1	2	3
19	FLUE BOX	176718900**					X							
20	FLUE BOX GASKET	176710000		X										
		176710200											X	
		176710300												
21	HEAT EXCHANGER (ALUM)	176719900								X				
		176720000											X	
		176720100												
		176720200												
		176720300												
21	HEAT EXCHANGER (STAINLESS)	176720500					X							
		176720600							X					
		176720700											X	
		176720800												
		176720900												
		176721000												
22	INDUCED DRAFT GASKET	176708800		X			X			X			X	
		176708900**												
25	MANIFOLD	176724700		v *	X									
		176724400					v *	X						
		176724600										v *	X	
		176724100												
		176724200												
		176724300												
Not Shown	FAN TIMER	100002477	X				X			X			X	
Not Shown	IGNITION WIRE	176727300	X				X			X			X	
		76715100		X				X			X			X
		76715200												
Not Shown	FLAME SENSOR WIRE	176738600												

** Temporarily Unavailable

HED



HED DUCT FURNACE HED 200 - 300

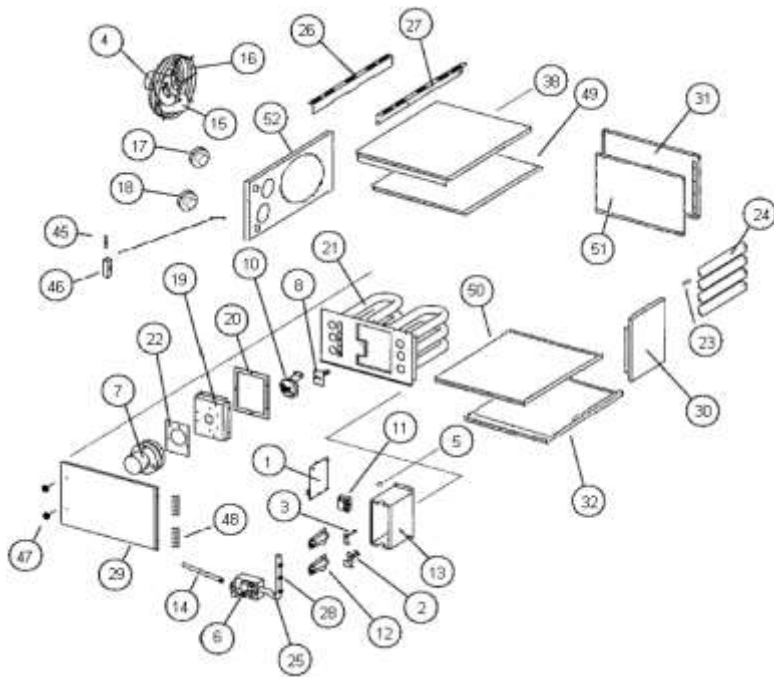
DRAWING NUMBER	DESCRIPTION	PART NUMBER	HED200			HED250			HED300		
			1	2	3	1	2	3	1	2	3
1	CONTROL BOARD										
		100000240	X			X			X		
		176777500		X			X			X	
		76722700			X			X			X
2	ELECTRODE/SPARK IGNITER										
		76714900		X			X			X	
3	ELECTRODE/FLAME SENSOR										
		76715000		X			X			X	
6	GAS VALVE (NAT)										
		76714600									
		76714800		X			X			X	
28	ORIFICE (NAT)										
	Straight thread	176719400									
	Tapered thread	176723900									
	Tapered thread	76723400			8			10			12
7	INDUCED DRAFT MOTOR ASSEMBLY (includes motor, housing, & blower wheel)										
		76746100									
		76714300B		X			X			X	
8	LIMIT SWITCH										
		176716600									
		76716400								X	
		176716700					X				
		176716500		X							
9	AUXILIARY LIMIT										
		176717100		X			X			X	
10	PRESSURE SWITCH										
		176777100									
		176722500									
		176722600									
		176776900		X			X			X	
11	TRANSFORMER										
		76715500		X			X			X	
12	BURNER										
		76711300		8			10			12	
		76711200									
17	FLUE ADAPTER										
		76708500									
		76708600		X			X			X	

HED DUCT FURNACE HED 200 - 300

DRAWING NUMBER	DESCRIPTION	PART NUMBER	HED200			HED250			HED300		
			1	2	3	1	2	3	1	2	3
19	FLUE BOX	176718900**									
20	FLUE BOX GASKET										
		176710000									
		176710200									
		176710300		X			X			X	
21	HEAT EXCHANGER (ALUM)										
		176719900									
		176720000									
		176720100		X							
		176720200					X				
		176720300								X	
21	HEAT EXCHANGER (STAINLESS)										
		176720500									
		176720600									
		176720700									
		176720800		X							
		176720900					X				
		176721000								X	
22	INDUCED DRAFT GASKET										
		176708800									
		176708900**		X			X			X	
25	MANIFOLD										
	* For these models, you also need to order tapered thread orifices. (All new manifolds have tapered threads and will not fit with older orifices having straight threads).	176724700									
		176724400									
		176724600									
		176724100		X *	X						
		176724200					X *	X			
		176724300								X *	X
Not Shown	FAN TIMER										
		100002477	X				X			X	
Not Shown	IGNITION WIRE										
		176727300	X				X			X	
		76715100									
		76715200			X			X			X
Not Shown	FLAME SENSOR WIRE										
		176738600			X			X			X

** Temporarily Unavailable

FOA



FOA UNIT HEATER

DRAWING NUMBER	DESCRIPTION	PART NUMBER	FOA 45	FOA 60	FOA 75	FOA 100	FOA 125	FOA 150	FOA 200	FOA 250	FOA 300
1	CONTROL BOARD	76722700						X			
45	24V TERMINAL BOARD	176700060						X			
	DOOR SWITCH	76729900A						X			
2	ELECTRODE/SPARK IGNITER	176700050						X			
	WIRE, IGNITION cable	76715100						X			
3	ELECTRODE/FLAME SENSOR	176700051						X			
4	FAN MOTOR (BLOWER MOTOR)	76791000	X								
		176700242		X	X	X	X			X	2
		176700242						X	X		
5	FLAME ROLLOUT SWITCH	176739900	1								
		176740200		2	2	1	1				
6	GAS VALVE (LP)	76717500					X				
6	GAS VALVE (NAT)	76714600					X				
		176700265									X
28	ORIFICE (LP)	76724000	3	4	5						
		176723500				4	5	6		10	
		76723100							7		11

FOA UNIT HEATER

DRAWING NUMBER	DESCRIPTION	PART NUMBER	FOA 45	FOA 60	FOA 75	FOA 100	FOA 125	FOA 150	FOA 200	FOA 250	FOA 300
28	ORIFICE (NAT)	76723700	3	4							
		176700281			5						
		76723400				4	5				
		176700263						6			11
		76723600							7		
		76723400								10	
7	INDUCED DRAFT MOTOR ASSEMBLY (includes motor, housing, & blower wheel)	76739200	X	X	X						
		76714300B				X	X	X	X	X	X
8	LIMIT SWITCH	76739700	X	X	X						
		76716400				X	X	X	X		X
		176716500								X	
10	PRESSURE SWITCH	176777400	X	X							
		176722600				X					
		176700096					X				
		176776900						X	X		
		176700236									X
11	TRANSFORMER	76715500						X			
12	BURNER INSHOT	76739500	3	4	5						
		76711300				4	5	6	7	10	11
15	FAN BLADE	176739100	X								
		176740000		X							
		176701184			X						
		176776400				X	X			X	X
		176700250						X	X		

FOA UNIT HEATER

DRAWING NUMBER	DESCRIPTION	PART NUMBER	FOA 45	FOA 60	FOA 75	FOA 100	FOA 125	FOA 150	FOA 200	FOA 250	FOA 300
17	INLET AIR ADAPTER	176700231						X			
18	FLUE ADAPTER	176735000	X								
		176737800		X	X						
		76708600				X	X	X	X	X	
19	FLUE BOX	176700247						X			
20	FLUE BOX GASKET	176739300	X								
		176740300		X	X						
21	HEAT EXCHANGER ASSEMBLY	176700067	X								
		176700069		X							
		176700053				X					
		176700054					X				
		176700232						X			
		176700233							X		
		176700234								X	
		176700235									X
22	INDUCED DRAFT GASKET	176739300	X								
		176708800		X	X						
		176708900**				X	X	X	X	X	X
23	LOUVER SPRING	76713500	4	6	6	6	6	8	8	12	12
24	LOUVER VANE (BEIGE)	176713100				6	6	8	8	12	12

** Temporarily Unavailable

UHRS

UHRS UNIT HEATER

DESCRIPTION	PART NUMBER	UHRS30			UHRS45			UHRS60			UHRS75			UHRS90			UHRS105		
		1	2	3	1	2	3	1	2	3	1	2	3	1	2	3	1	2	3
CONTROL BOARD	176701649	x	x	x	x	x	x	x	x	x	x	x	x	x	x	x	x	x	x
WIRING HARNESS	176792900	X	X	X	X	X	X												
	176793000							X	X	X	X	X	X						
	176793100													X	X	X	X	X	X
WIRING HARNESS, TRANSFORMER	176702200	x	x	x	x	x	x	x	x	x	x	x	x	x	x	x	x	x	x
ELECTRODE/FLAME SENSOR	176701611	x	x	x	x	x	x	x	x	x	x	x	x	x	x	x	x	x	x
ELECTRODE/SPARK IGNITER	176701587	x	x	x	x	x	x	x	x	x	x	x	x	x	x	x	x	x	x
FAN MOTOR (BLOWER MOTOR)	176701588	1	1	1	1	1	1												
	176701612							1	1	1	1	1	1						
	176701590													1	1	1	1	1	1
FLAME ROLLOUT SWITCH	176700252	x	x	x															
	176701591				x	x	x							X	X	X	X	X	X
	176701592							x	x	x	x	x	x						
GAS VALVE (LP)	176701593	x	x	x	x	x	x	x	x	x	x	x	x	x	x	x	x	x	x
GAS VALVE (NAT)	176701594	x	x	x	x	x	x	x	x	x	x	x	x	x	x	x	x	x	x
ORIFICE (LP)	176701595	2	2	2	3	3	3	4	4	4	5	5	5	7	7	7	7	7	7
ORIFICE (NAT)	176701596	2	2	2	3	3	3	4	4	4	5	5	5	7	7	7	7	7	7
IGNITION LEAD	176701597	x	x	x	x	x	x	x	x	x	x	x	x	x	x	x	x	x	x
INDUCED DRAFT MOTOR ASSEMBLY (includes motor, housing, & blower wheel)	176701598	X*	X*	X*	X*	X*	X*	X	X	X	X	X	X	X	X	X	X	X	X
	176795005* After Ser # 5620K10000	X*	X*	X*	X*	X*	X*												
LIMIT SWITCH	176701599	x	x	x	x	x	x	x	x	x									
	176701630										x	x	x					x	x
	176795004													x	x	x			
PRESSURE SWITCH	176701661	x	x	x	x	x	x	x	x	x								x	x
	176701657										x	x	x						
	176701603													x	x	x			
TRANSFORMER	176701604	x	x	x	x	x	x	x	x	x	x	x	x	x	x	x	x	x	x
FAN BLADE	176701605	1	1	1	1	1	1												
	176701606							1	1	1	1	1	1						
	176701607													1	1	1	1	1	1
FAN GUARD	176701608	1	1	1	1	1	1												
	176701609							1	1	1	1	1	1						
	176701610													1	1	1	1	1	1
LOUVER SPRING	176701613	x	x	x	x	x	x	x	x	x	x	x	x	x	x	x	x	x	x
LOUVER VANE	176793400	3	3	3	3	3	3	5	5	5	5	5	5	7	7	7	7	7	7
MOUNTING BRACKET	176700255	2	2	2	2	2	2	2	2	2	2	2	2	2	2	2	2	2	2
POWER/THERMO TERMINAL	176792800	x	x	x	x	x	x	x	x	x	x	x	x	x	x	x	x	x	x
BURNER	176727400	x	x	x															
	176727500				x	x	x												
	176727600							x	x	x									
	176727700										x	x	x						
	176727800													x	x	x			
	176727900																	x	x
FLUE BOX GASKET	176701664	x	x	x	x	x	x												
	176701665							x	x	x	x	x	x						
	176701677													x	x	x	x	x	x
INDUCED MOTOR GASKET	176701663	x	x	x	x	x	x	x	x	x	x	x	x	x	x	x	x	x	x
MANIFOLD	176728900	x	x	x															
	176728800				x	x	x												
	176729100							x	x	x									
	176729000										x	x	x						
	176729300													x	x	x			
	176729200																	x	x
ALUMINIZED STEEL HEAT EXCHANGER	176730200	x	x	x															
	176730300				x	x	x												
	176730400							x	x	x									
	176730500										x	x	x						
	176730600													x	x	x			
POWER/THERMO TERMINAL	176730700																	x	x
POWER/THERMO TERMINAL	176792800	x	x	x	x	x	x	x	x	x	x	x	x	x	x	x	x	x	x

UHCM

UHCM UNIT HEATER

DESCRIPTION	PART NUMBER	UHCM 125			UHCM 150			UHCM 175			UHCM 200			UHCM 250			UHCM 300			UHCM 350			UHCM 400		
		1	2	3	1	2	3	1	2	3	1	2	3	1	2	3	1	2	3	1	2	3	1	2	3
CONTROL BOARD	176701649	x	x	x	x	x	x	x	x	x	x	x	x	x	x	x	x	x	x	x	x	x	x	x	x
WIRING HARNESS	176793500	x	x	x	x	x	x	x	x	x	x	x	x												
	176793600													x	x	x	x	x	x	x	x	x	x	x	x
ELECTRODE/SPARK IGNITER	176701615	x	x	x	x	x	x	x	x	x	x	x	x	x	x	x	x	x	x	x	x	x	x	x	x
ELECTRODE/FLAME SENSOR	176701616	x			x			x			x			x			x			x			x		
	176701611		x			x			x			x			x			x			x			x	
IGNITION LEAD	176793700	x	x	x	x	x	x	x	x	x	x	x	x	x	x	x	x	x	x	x	x	x	x	x	x
FAN MOTOR (BLOWER MOTOR)	176701617	1	1	1	1	1	1							2	2	2	2	2	2						
	176701618							1	1	1	1	1	1							2	2	2	2	2	2
GAS VALVE (LP)	176701593	x	x	x	x	x	x	x	x	x	x	x	x												
	176701620													x	x	x	x	x	x	x	x	x	x	x	x
GAS VALVE (NAT)	176701594	x	x	x	x	x	x	x	x	x	x	x	x												
	176701622													x	x	x	x	x	x	x	x	x	x	x	x
ORIFICE (LP)	176701623	5	5	5	6	6	6	7	7	7	8	8	8												
	176701624													10	10	10	12	12	12	14	14	14	16	16	16
ORIFICE (NAT)	176701625	5	5	5	6	6	6	7	7	7	8	8	8												
	176701626													10	10	10	12	12	12	14	14	14	16	16	16
INDUCED DRAFT MOTOR ASSEMBLY (includes motor, housing, & blower wheel)	176701627	x	x	x	x	x	x																		
	176701628							x	x	x	x	x	x	x	x	x	x	x	x	x	x	x	x	x	x
FLAME ROLLOUT SWITCH	176701592	x			x			x			x			x	x		x	x		x	x		x	x	
	176700251		x			x			x			x			x			x			x			x	
LIMIT SWITCH	176701599	x	x	x	x	x	x	x	x	x															
	176701630										x	x	x												
	176701631													x	x	x	x	x	x	x	x	x	x	x	x
PRESSURE SWITCH	176702304	x	x	x																					
	176701650				x	x	x																		
	176701651							x	x	x	x	x	x	x	x	x									
	176702305																x	x	x						
	176702306																			x	x	x			
176701652																						x	x	x	
TRANSFORMER	176701604	x	x	x	x	x	x	x	x	x	x	x	x	x	x	x	x	x	x	x	x	x	x	x	x
FAN GUARD	176701610	x	x	x	x	x	x							x	x	x	x	x	x						
	176701639							x	x	x	x	x	x							x	x	x	x	x	x
FAN BLADE	176701648							1	1	1	1	1	1							2	2	2	2	2	2
	176701662	1	1	1	1	1	1							1	1	1	1	1	1						
FLUE ADAPTER	176701585							x	x	x	x	x	x	x	x	x									
	176701647																			x	x	x	x	x	x
LOUVER SPRING	176701613	x	x	x	x	x	x	x	x	x	x	x	x	x	x	x	x	x	x	x	x	x	x	x	x
LOUVER VANE	176794000	9	9	9	9	9	9							18	18	18	18	18	18						
	176794100							9	9	9	9	9	9												
	176794200																			18	18	18	18	18	18
POWER/THERMO TERMINAL	176792800	x	x	x	x	x	x	x	x	x	x	x	x	x	x	x	x	x	x	x	x	x	x	x	x

UHCM

UHCM UNIT HEATER

DESCRIPTION	PART NUMBER	UHCM 125			UHCM 150			UHCM 175			UHCM 200			UHCM 250			UHCM 300			UHCM 350			UHCM 400					
		1	2	3	1	2	3	1	2	3	1	2	3	1	2	3	1	2	3	1	2	3	1	2	3			
BURNER	176728000	x	x	x																								
	176728100				x	x	x																					
	176728200							x	x	x																		
	176728300										x	x	x															
	176728400													x	x	x												
	176728500																x	x	x									
	176728600																			x	x	x						
176728700																						x	x	x				
BURNER BOX	176701752	x	x	x	x	x	x																					
	176701746							x	x	x	x	x	x															
	176701748													x	x	x	x	x	x									
	176701750																			x	x	x	x	x	x	x	x	x
FLUE BOX GASKET	176701670	x	x	x	x	x	x																					
	176701673							x	x	x	x	x	x															
	176701675													x	x	x	x	x	x									
	176701676																			x	x	x	x	x	x	x	x	x
BOX FLUE	176701751							x	x	x	x	x	x															
INDUCED MOTOR GASKET	176701663	x	x	x	x	x	x																					
	176701672							x	x	x	x	x	x	x	x	x	x	x	x	x	x	x	x	x	x	x	x	x
MANIFOLD	176729500	x	x	x																								
	176729400				x	x	x																					
	176729700							x	x	x																		
	176729600										x	x	x															
	176730100													x	x	x												
	176730000																x	x	x									
	176729900																			x	x	x						
176729800																						x	x	x				
ALUMINIZED STEEL HEAT EXCHANGER	176730800	x	x	x																								
	176731000				x	x	x																					
	176731200							x	x	x																		
	176731400										x	x	x															
	176731600													x	x	x												
	176731800																x	x	x									
	176732000																			x	x	x						
176732200																						x	x	x				
Stainless Steel Heat Exchanger	176730900	x	x	x																								
	176731100				x	x	x																					
	176731300							x	x	x																		
	176731500										x	x	x															
	176731700													x	x	x												
	176731900																x	x	x									
	176732100																			x	x	x						
176732300																						x	x	x				

LP FUEL CONVERSION KITS

LP Conversion Kit Part # (not available for SEP 60, 90)	Used On Models	Includes	Ship Weight
165336303	FOA 100, 125, 150, 250	10 #53 Orifices (Part #76723500), 1 Honeywell Spring Kit (Part # 176759100)	2 lbs.
165336304	FOA 200 & 300	11 # 52 Orifices (Part # 76723100), 1 Honeywell Spring Kit (Part #176759100)	2 lbs.

** Temporarily Unavailable

LP Kits are not designed for and should not be used on HED duct furnaces.

LP & NG Kits have tapered thread orifices and will not fit older models with straight threads.

NG FUEL CONVERSION KITS & MOUNTING BRACKETS

NG Conversion Kit Part # (not available for SEP 90, 100, 250, 300, and CUH units)	Used On Models	Includes	Ship Weight
160000001	SEP 115, 145, 175	6 Tapered Orifices (Part # 76723000), 1 Natural Gas Valve (Part # 76714600)	2 lbs.
160000003	SEP 230, 290, 345	12 Tapered Orifices (Part # 76723000), 1 Natural Gas Valve (Part # 76714800)	2 lbs.

** Temporarily Unavailable

UHRS & UHCM

FUEL CONVERSION KITS

LP Kits

Description	Kit Part #	Altitudes		Used On Models
		US	CANADA	
LP Conversion Kit	176701643	0 - 5,000ft	0 - 7,500ft	UHRS (All Models)
LP High Altitude Conversion Kit	176795200	5,000 - 8,000ft	n/a	
LP High Altitude Conversion Kit	176795300	8,000 - 10,000ft	0 - 7,500ft	
LP High Altitude Conversion Kit	176795400	n/a	7,501 - 9,500ft	
LP Conversion Kit	176701641	0 - 5,000ft	0 - 7,500ft	UHCM 125 - 200
LP High Altitude Conversion Kit	176795500	5,000 - 9,000ft	7,501 - 9,500ft	
LP High Altitude Conversion Kit	176795600	9,001 - 10,000ft	n/a	
LP Conversion Kit	176794300	0 - 3,000ft	0 - 4,500ft	UHCM 250- 400
LP High Altitude Conversion Kit	176794400	3,001 - 5,000ft	4,501 - 7,500ft	
LP High Altitude Conversion Kit	176794500	5,001 - 7,000ft	7,501 - 9000ft	
LP High Altitude Conversion Kit	176794600	7,001 - 9,000	n/a	
LP High Altitude Conversion Kit	176794700	9,001 - 10,000	n/a	

Natural Gas Kits

Description	Kit Part #	Altitudes		Used On Models
		US	CANADA	
NG Conversion Kit	176701644	0 - 5,000ft	0 - 7,500ft	UHRS (All Models)
NG High Altitude Conversion Kit	176795700	5,000 - 7,000ft	7,501 - 9,500ft	
NG High Altitude Conversion Kit	176795800	7,000 - 10,000ft	n/a	
NG Conversion Kit	176701645	0 - 4,000ft	0 - 6,500ft	UHCM 125 - 200
NG High Altitude Conversion Kit	176795900	4,000 - 8,000	6,501 - 7,500ft	
NG High Altitude Conversion Kit	176796000	8,000 - 10,000	n/a	
NG Conversion Kit	176794800	0 - 5,000ft	0 - 7,500ft	UHCM 250 - 400
NG High Altitude Conversion Kit	176794900	5,000 - 8,000	7,501 - 9,500ft	
NG High Altitude Conversion Kit	176795100	8,000 - 10,000	n/a	



2140 Lake Park Blvd, Richardson, TX 75080
www.adpnow.com